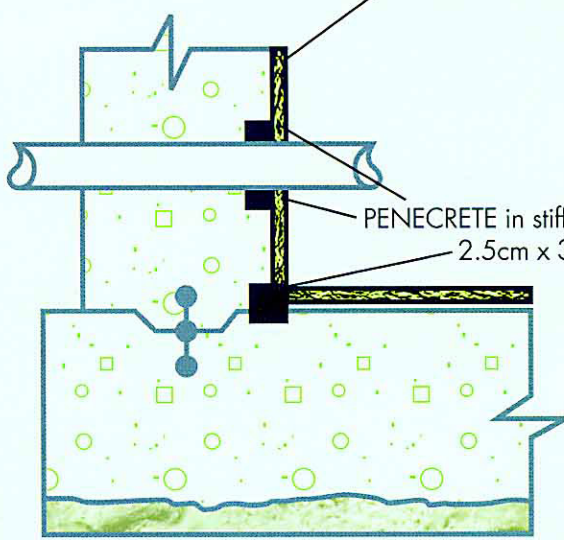
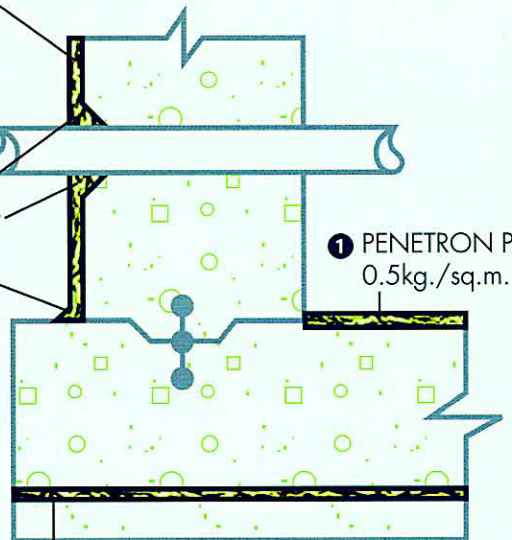


PENETRON 1.4kg.-1.6kg./sq.m.
total, applied in 2 coats or sprayed.



PENEKRETE in stiff consistency
2.5cm x 3cm

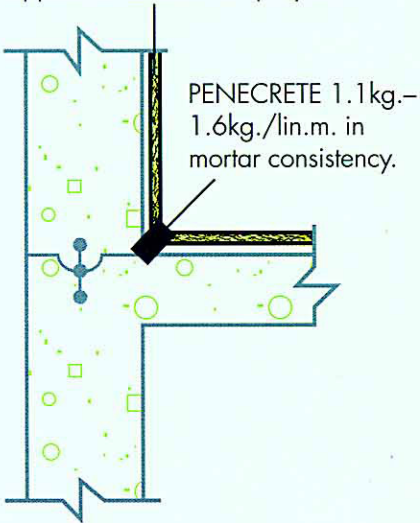
① PENETRON PLUS
0.5kg./sq.m.



② PENETRON PLUS 0.7kg./sq.m.
dry shake prior to placing of
structured concrete.

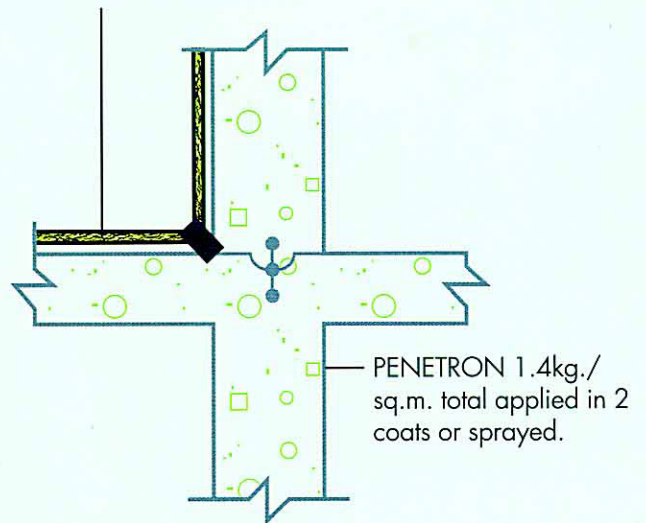
Note: Both ① and ② should be applied where high water pressure exists.

PENETRON 1.4kg./sq.m.
applied in 2 coats or sprayed.

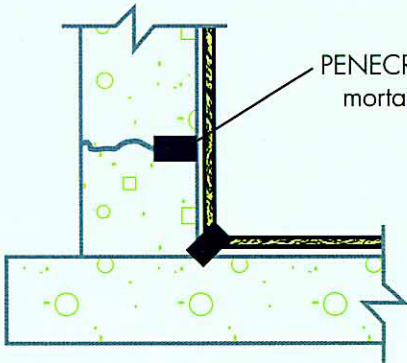


PENEKRETE 1.1kg.-
1.6kg./lin.m. in
mortar consistency.

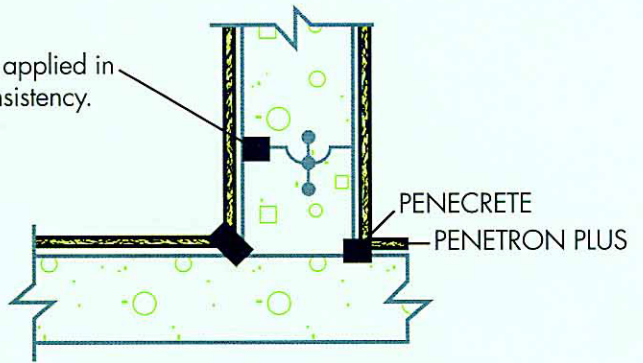
PENETRON 0.5kg./sq.m. dry
shaken and troweled in.



PENETRON 1.4kg./
sq.m. total applied in 2
coats or sprayed.



PENEKRETE applied in
mortar consistency.



PENEKRETE
PENETRON PLUS